



G.C.S.D Services – 209/ 962-7161
 Fax – 209/ 962-4943
 Fire Department – 209/ 962-7891
 www.gcsd.org

water . fire protection . parks . wastewater collection & treatment
 18966 Ferretti Road P.O. Box 350 Groveland, CA 95321-0350

Sewer Connection Application

Groveland Community Services Ordinance, 1-058, effective 8/27/05, continued sewer permit, connection and inspection fees established by Ordinance 1-03. The fee schedule is set forth below and must be paid prior to connection to the public sanitary sewer. ***If sewer service has not commenced within six months of application for service, sewer service charges shall nevertheless commence and be payable after the expiration of such six-month period.***

LOT ZONING	SEWER HOOK-UP PERMIT FEE	BASIC SEWER PARTICIPATION FEE	INSPECTION FEE	TOTAL
R-1	\$42.00	\$7000.00	\$109.00	\$7151.00
R-3	\$42.00	\$7000.00	\$109.00	\$7151.00

At the time a sewer connection permit is applied for, the applicant shall also submit a copy of the plot plan required by the Tuolumne County Building Department. The sewer connection permit shall not be issued until the District has approved said plot plan. Said plot plan shall be deemed approved when the District Engineer has determined that it correctly depicts the location of the District's underground utilities and connection thereto.

All sewer connection permits issued shall be null and void six months after the issuance thereof, unless a building permit is issued by the Tuolumne County Building Department within that time. All sewer connection permits shall be null and void one year after the issuance of a Tuolumne County Building Permit unless a building foundation, on the lot for which the permit was issued, has been completed and inspected by the Tuolumne County Building Department within that time.

The applicant has the burden of proving that a valid Tuolumne County Building Permit has been issued, or, as the case may be, that a building foundation has been completed and has been inspected by the Tuolumne County Building Dept.

Owner:		
Mailing Address:		
Lot(s):	Unit:	Service Address:

Copy of Plot Plan <input type="checkbox"/>	Copy of Bldg. Permit <input type="checkbox"/>	Permit No.:
Permit Date:		Zoning:

By signing this application, applicant agrees to observe and District regulations now or hereafter adopted related to the sewer service and to pay sewer bills promptly.

Applicant Signature:	Date:
----------------------	-------

For District Use Only

Plot Plan Approved: <input type="checkbox"/> Yes <input type="checkbox"/> No	Date Approved or Denied:
Fee:	Assessment Area Credit:
Cash <input type="checkbox"/> Check <input type="checkbox"/>	Credit Card <input type="checkbox"/> Check #:

Section 4.04 Establishment and Purposes of Service and Connection Charges and Fees

SEWER RATES to pay for the cost of sewer service provided by the District, to insure an equitable recovery of the District's cost of providing such services, and to provide capital reserve funds to provide for replacement and expansion of the sewer facilities, as needed.

The monthly sewer service "usage" charges defined in Article VII SERVICE CHARGES are to recover the actual costs of operating and maintaining the various elements of the District operated collection, treatment and disposal systems. The connection fees are to provide funds for replacement and expansion of capital improvements necessary to provide and maintain service to all customers within the District's sewer service areas, and for special reimbursement or other purposes, as more particularly indicated in the exhibits attached hereto.

In principle, charges and fees are determined by:

- User must purchase the amount of the system used.
- User must pay his/her share of all costs of operating and maintaining the system.
- The system must be upgraded and replaced from time to time such that, in effect, the capacity will exist in perpetuity for the User.
- Because the system is benefiting the public, it must be expanded and maintained to provide safe and dependable wastewater management.
- The system must remain in compliance with existing and future state and federal regulations.

Section 4.05 Other Charges and Fees

The District may at any time establish a schedule of charges and fees to pay for the costs of other services provided, to insure an equitable recovery of the District's cost of providing sewer service, including but not limited to:

(a) Administrative Charges: Application Filing and Process Fees

The cost of administration or other related or required costs to process permit applications. Application fees shall be paid at the time of application and shall be used to reimburse to District all of its costs incurred in providing administrative staff to provide assistance to the applicant regarding District procedures, scheduling, public hearings, and accounting. The amount of administrative fees estimated by District, shall be paid to District upon filing of the application. In the event that the actual costs incurred by District exceed the amounts paid by applicant, the District will require an additional deposit from applicant sufficient to reimburse such estimated additional costs. To the extent the amount paid exceeds the costs incurred by District, the balance will be refunded by the District upon acceptance of the improvements..

(b) Inspection Charges

Inspection charges shall be for the District's time expended on the construction site facility inspections.

(c) Engineering Labor Charges

Engineering labor charges shall be for engineering labor expended on CEQA review, plan and easement reviews and project management. District Engineer expense deposits will be paid prior to commencement of construction and credited to the actual charges incurred by District staff for inspections, camera-testing, pressure-testing, vacuum-testing, disinfection, etc. In the event that actual costs exceed the deposit, charges will be billed monthly to the Developer during the construction of the facilities. The District will refund any funds collected but not used upon acceptance of the facilities. The engineering labor rate for all shall be as specified in Exhibit A.

(d) Standby Assessments

The cost of maintaining capacity in a readiness to serve status for the benefit of unimproved parcels of land, or in the case of disconnection or prolonged non-occupancy.

(e) Monitoring Service

The cost of monitoring wastewater volume, discharge demand, constituents, or characteristics.

(f) Appeal Fees

The cost of administration, engineering, legal or other related costs to process appeals.

Section 4.06 Connection Permit and Fees Required

No connection shall be made of any kind to the public sanitary sewer or to a private sewer without first obtaining a Connection Permit from the District and paying the application, inspection and connection fees specified below. Permits cannot be issued or connection charges determined until the use of the premises being connected is determined. Connections to vacant lots not undergoing improvement per a valid and current building permit are not allowed. Upon the determination after the issuance and payment of connection charges that the usage of the connection has changed prior to issuance of a valid occupancy notice or permit by the county department responsible for issuing building permits and occupancy approvals, the Property Owner shall file for a new or amended permit and pay any additional charges. No refund of prior charges are allowed unless and only in the amount approved by the Board of Directors. Any Owner or occupier of property shall make no enlargement, addition or change in any use for which a connection permit has been issued without securing a new connection permit and the payment of any additional connection fee required to be paid.

(a) Sewer Connection Application Fee

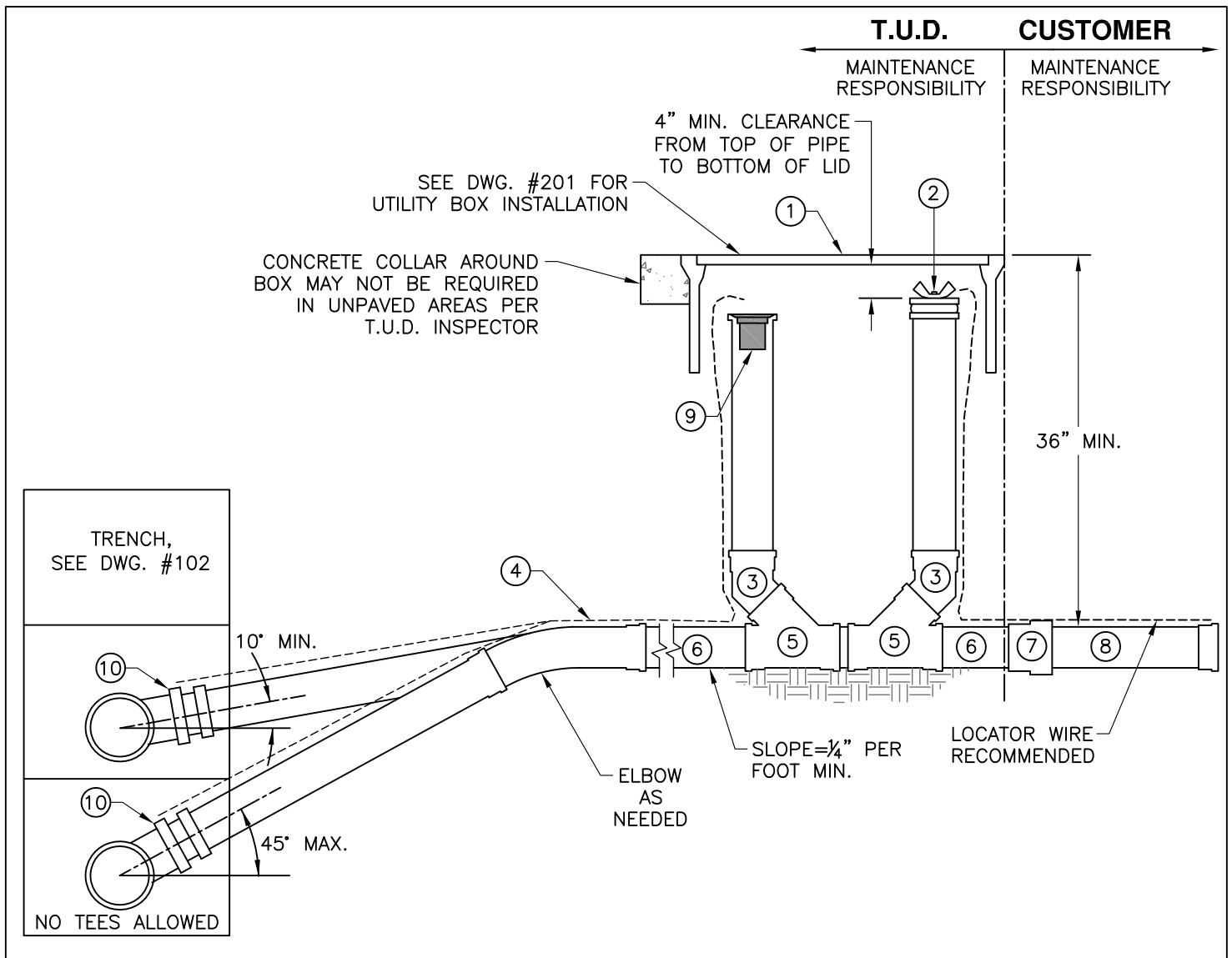
The Sewer Connection application fee for all sewer connection permits shall be as specified in Exhibit A.

(b) Sewer Connection Inspection Fee

The inspection fee for all sewer connection permits shall be as specified in Exhibit A. Depending on project scope, most connection projects require only one inspection; projects requiring additional inspections will be charged for the additional inspections. A deposit may be required and all required fees and deposits shall be paid prior to District's review of construction plans.

(c) Sewer Participation Fees

Sewer Participation fees shall be based on the equivalent use or impact upon the sewer system of a single-family residence Said equivalent use shall be established by discharge demand factors specified within Exhibit B, USER CLASSIFICATIONS, and their use as specified below. Credits may apply towards adjustments in total connection charges as may from time to time be derived from levied sewer assessment, and shall be determined based upon the terms of such assessment; such terms for credits shall be specified and made known through Exhibit C, ASSESSMENT AREA CREDITS. Special participation fees may from time to time be set by the Board of Directors for the purposes of fair and equitable adjustments equating differentiated segments of District sewer system Users, the terms for such special fees shall be specified and made known through Exhibit D, SPECIAL PARTICIPATION FEES.



NOTES

- A. LOCATE CLEANOUTS OUTSIDE TRAFFIC AREAS IF POSSIBLE.
- B. BACKFLOW PREVENTION IS REQUIRED FOR CLEANOUT AT PROPERTY, RIGHT-OF-WAY OR EASEMENT LINE.
- C. PLACE 1 CU.FT. MIN. OF CONCRETE OR 2 CU.FT. OF WELL-COMPACTED BEDDING MATERIAL UNDER THE ENTIRE LENGTH OF THE WYE BRANCH, FITTING OR ANY UNSUPPORTED PIPE. WHEN BEDDING MATERIAL IS USED, PLACE ADDITIONAL MATERIAL TO TOP OF BEND FOR THE FULL WIDTH OF THE TRENCH.
- D. A "CARSON" PLASTIC BOX CAN BE USED IN PLANTER AREAS WITH PRIOR T.U.D. APPROVAL.
- E. A 4-INCH LATERAL IS ACCEPTABLE FOR A DOUBLE SERVICE.
- F. FLUSHING BRANCH SHALL BE END-OF-LINE CLEANOUT, SAME SIZE AS MAIN, WITH STREET 90° OR (2) 45° ELBOWS.

ITEM	QTY	DESCRIPTION	REMARKS
①	1	UTILITY BOX WITH LID MARKED "SEWER"	CHRISTY B30 OR (2) G5, SEE NOTE 'D'
②	1	EXPANSION PLUG	PASCO HAND-TIGHT OR APPROVED EQUAL, SEE NOTE 'C'
③	2	STREET 45°	SDR35 PVC PIPE
④		#12 AWG INSULATED LOCATOR WIRE	SINGLE STRAND COPPER, <u>UF LISTED</u> , SEE DWG. #102
⑤	2	WYE	SDR35 PVC PIPE
⑥		SINGLE SERVICE: 4" MIN., DOUBLE SERVICE: 4" MIN., MAIN-LINE CLEANOUT: SAME SIZE AS MAIN	SDR35 PVC PIPE
⑦	1	4"x4" SWRxDWV REDUCER	PTI #P657, USE ABS TO SDR GLUE
⑧	1	2 FT. STUB WITH GLUED CAP	ABS-DWV OR OTHER BUILDING CODE APPROVED MATERIAL
⑨	1	SEWER RELIEF POPPER (SEE NOTE 'B')	PLUMBEST (POPPER), UHS (HOMESAVER FLIP TOP) OR APPROVED EQUAL
⑩	1	PVC OR SADDLE WYE, DFW/HPI, FLEXIBLE RUBBER, REQUIRED IF EXISTING WYE NOT FOUND	